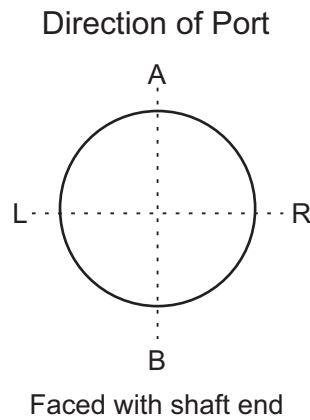
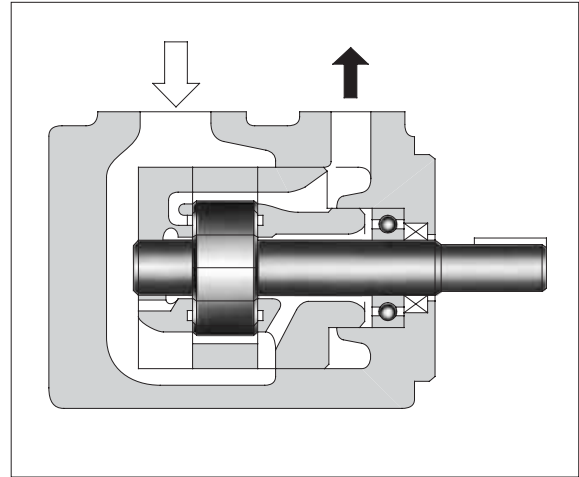
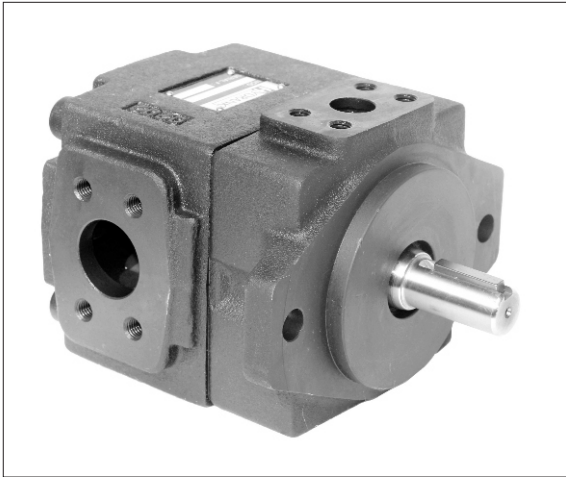


H-VP Series High Performance Low noise vane pumps

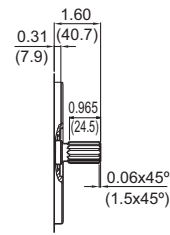
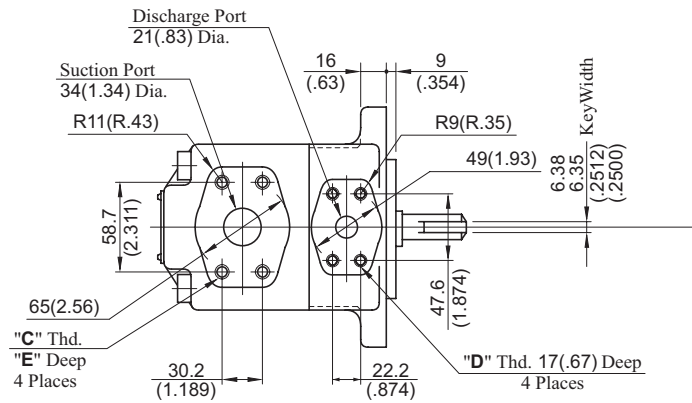
SINGLE PUMPS



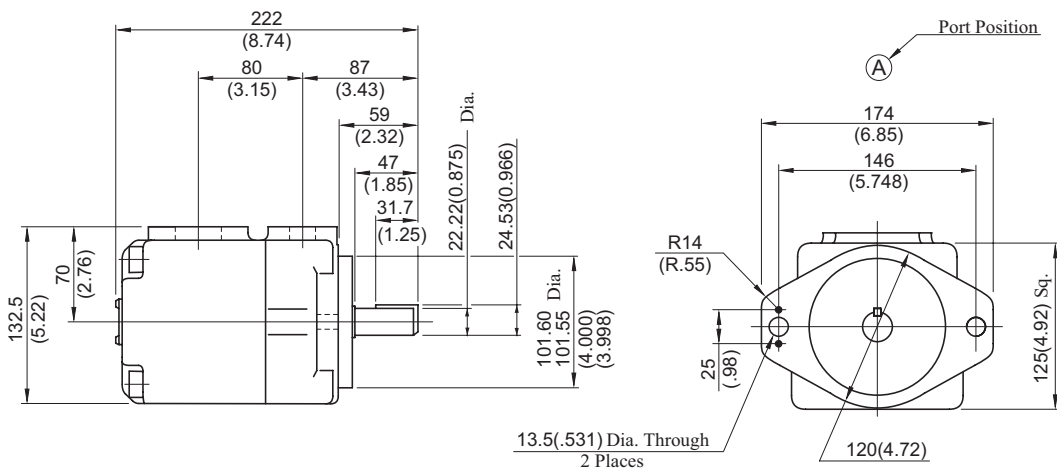
ORDERING CODE

H-VP10	-6	A	A	-R	70 / 71	*
Series Number	Nominal Displacement cm ³ / rev	Discharge Port Position	Suction Port Position	Shaft Rotation	Design Number	Modifications
H-VP10	4, 6, 8, 10, 12 14, 17, 19 23, 25, 28, 31	(Viewed from Shaft End) A: Upwards (Normal)	A: Upwards (Normal)	R: Clockwise (Normal) L: Anticlockwise	71	
H-VP20	23, 26, 33, 36, 41 47, 53, 59, 65, 75				70	
H-VP30	52, 60, 66, 76, 94, 116, 125, 136, 153				70	

H-VP20 (Flange Mount)



Shaft code F-11
 SAE B splined shaft
 Class 1-J498b
 16/32 dp. 13 teeth
 30° pressure angle
 flat root side fit



Model Numbers	"C" Thd.	"D" Thd.	E mm (Inches)
H-VP20 (Flange Mount)	M-10	M-10	19 (.75)

Model Numbers	Approx. Weight (kg)
H-VP20	16.0

Specifications

Model Numbers	Nominal Displacement cm ³ /rev	Max. Operating Pressure MPa (PSI)					
		Petroleum Base Oils		Water Containing Fluids			Synthetic Fluids
		Anti-Wear Type	R & O Type	Anti-Wear Type Water Glycols	Water Glycols	Water in Oil Emulsions	Phosphate Esters
23	22.7	21 (3050)	14 (2030)	16 (2320)	7 (1020)	7 (1020)	14 (2030)
26	25.3						
33	32.3						
36	35.6						
41	39.8						
47	49.8						
53	51.5						
59	55.8						
65	63.7	16 (2320)					
75	75.1						